

Design theme: Self Assembly decorative product for a special event.

Study the Design Brief and the Design Specification below.

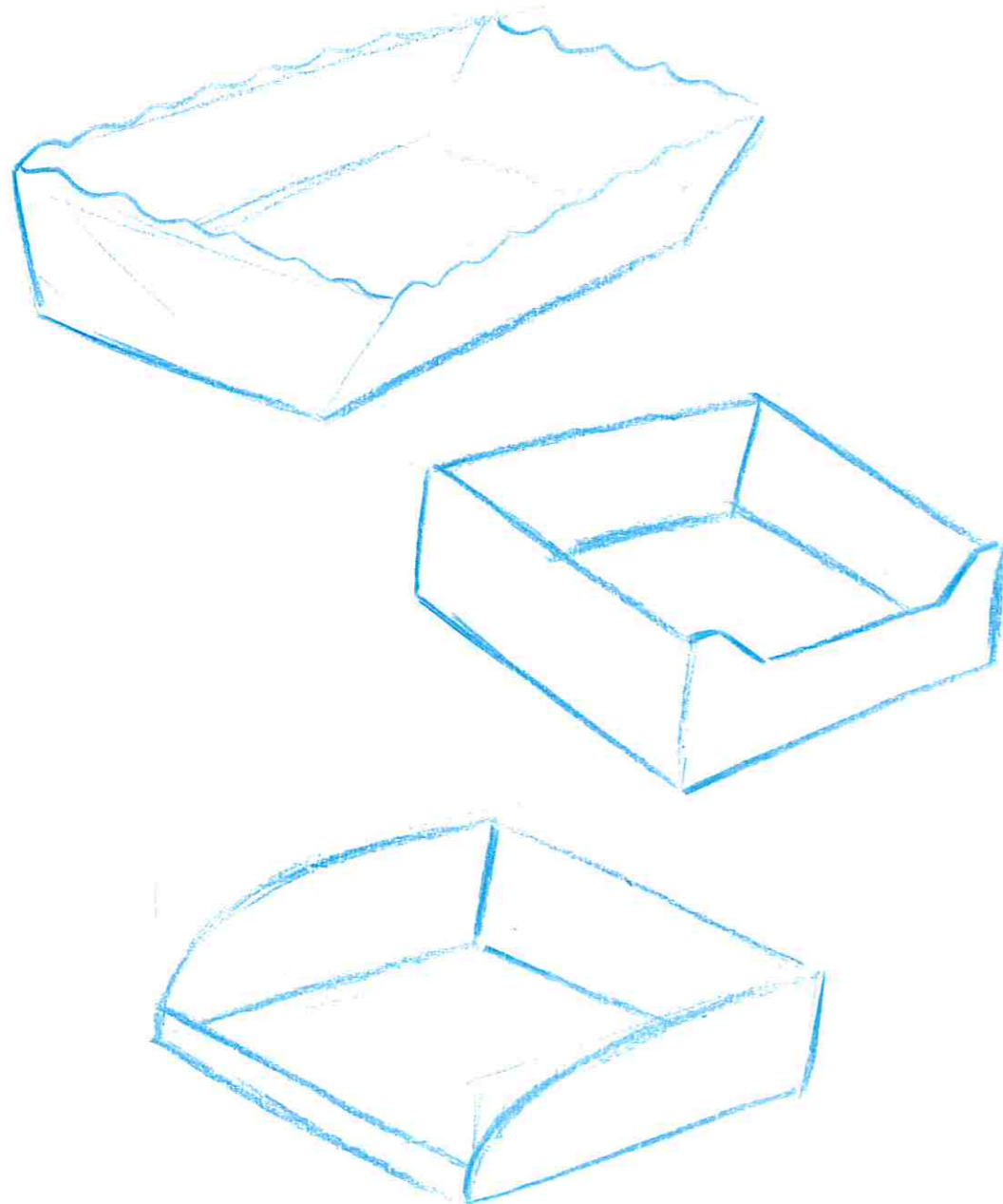
Design Brief: A party caterer requires a disposable tray/box to display finger food at the party table, it should hold items such as sandwich triangles, rolls, crisps, biscuits, macaroons etc .

Design Specification:

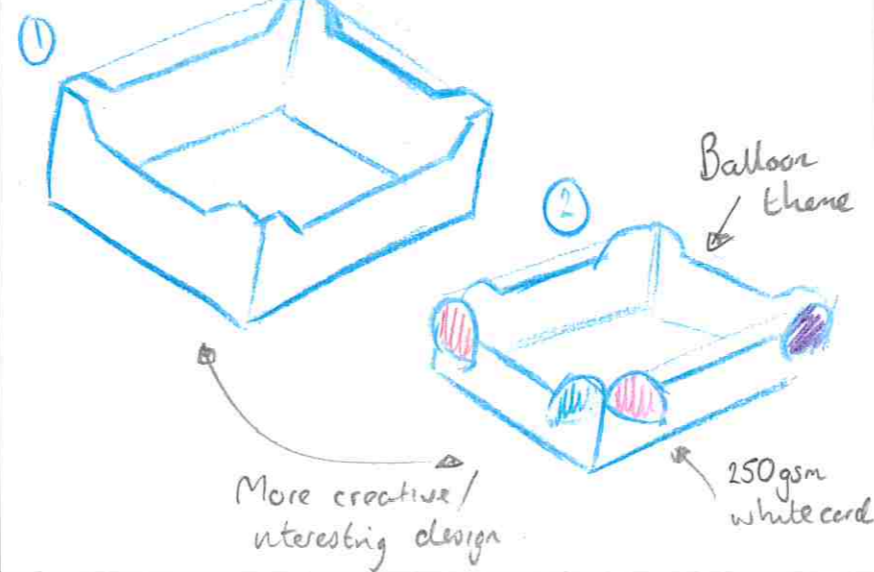
- The container needs to be made from 250gms board.
- It should be attractive with a party theme to the outside.
- It should be able to be cut from a single A4 sheet.
- It must be supplied flat to be erected at the party without glue or tape.



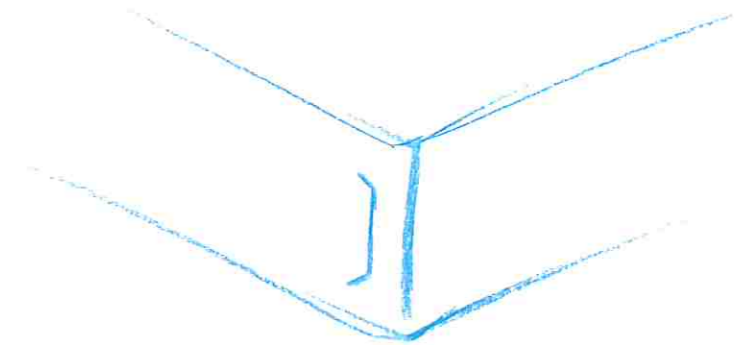
Sketch your initial ideas in this space



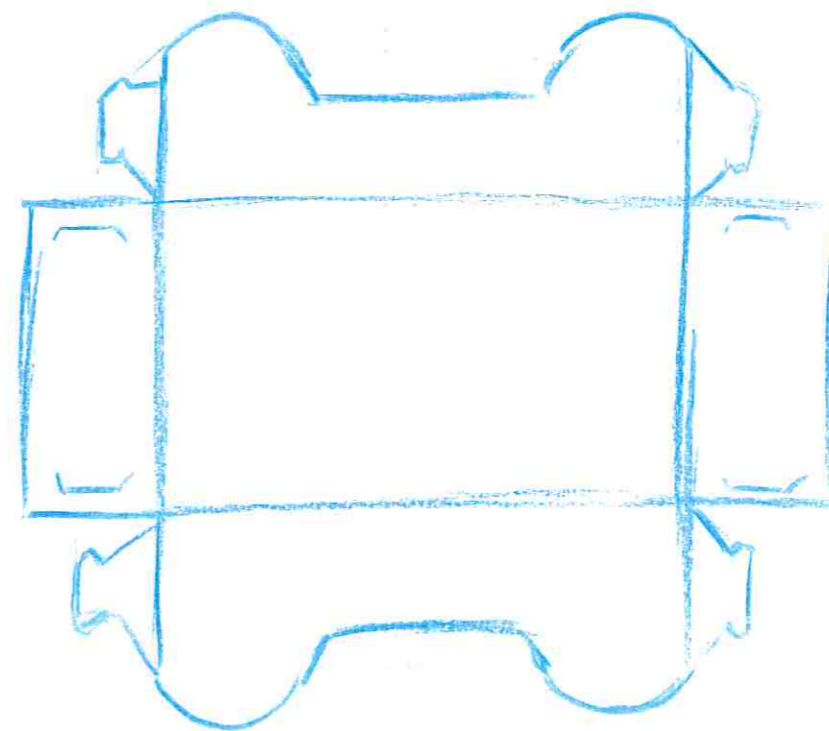
Develop one of your ideas in this space.



Make a detailed drawing of how your tray/box is joined when erected.



Draw the "net" of your tray/box in this space.



Design theme: Self Assembly decorative product for a special event.

Study the Design Brief and the Design Specification below.

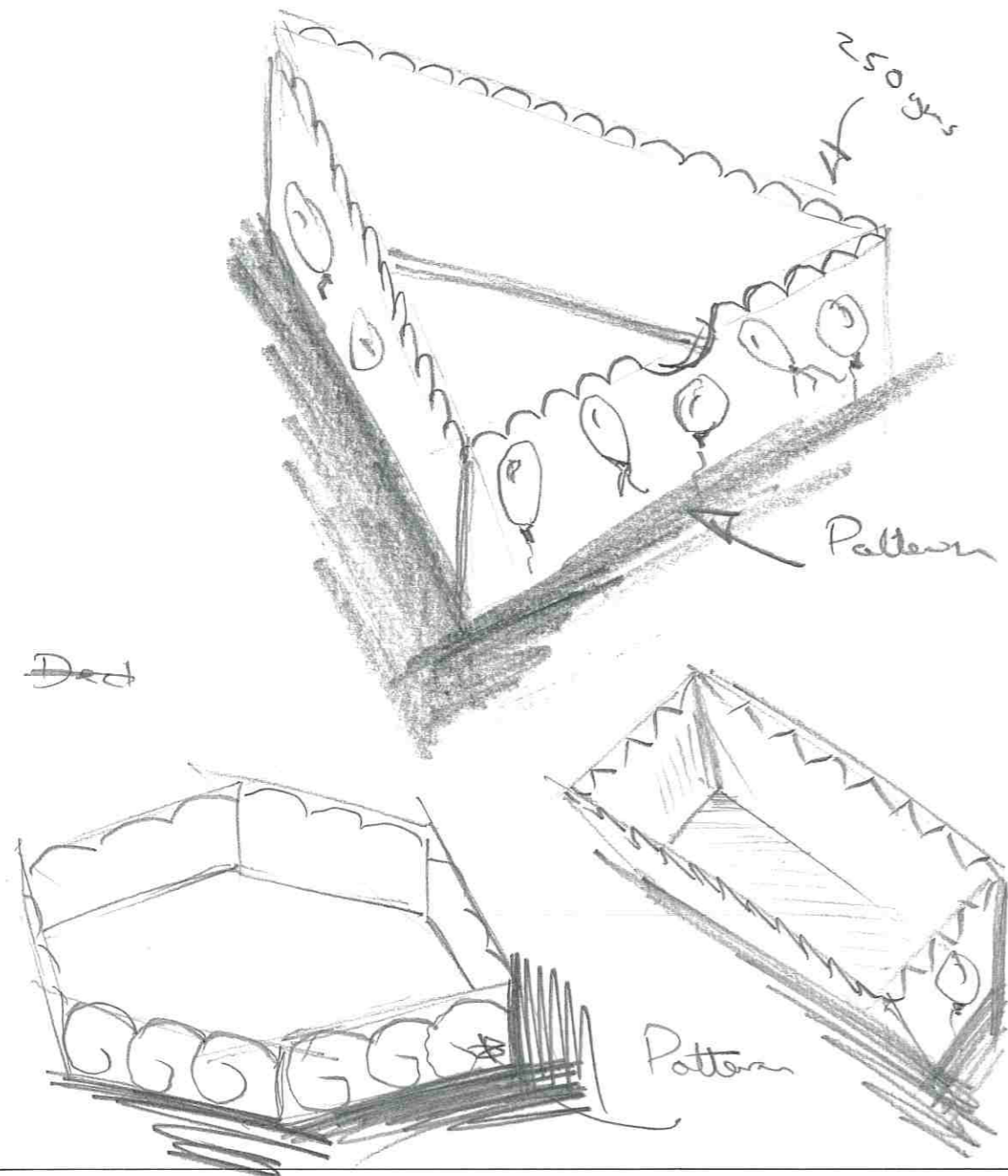
Design Brief: A party caterer requires a disposable tray/box to display finger food at the party table, it should hold items such as sandwich triangles, rolls, crisps, biscuits, macaroons etc .

Design Specification:

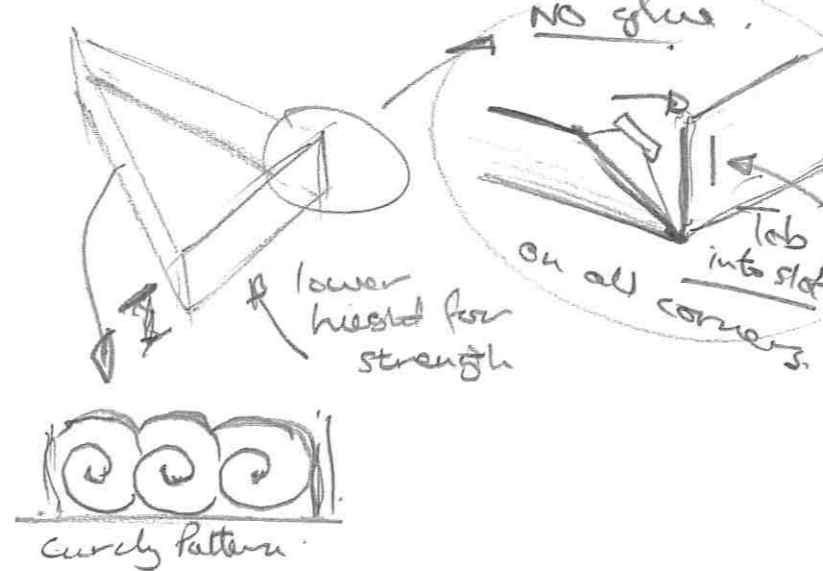
- ✓ The container needs to be made from 250gms board.
- ✓ It should be attractive with a party theme to the outside.
- ✓ It should be able to be cut from a single A4 sheet.
- ✓ It must be supplied flat to be erected at the party without glue or tape.



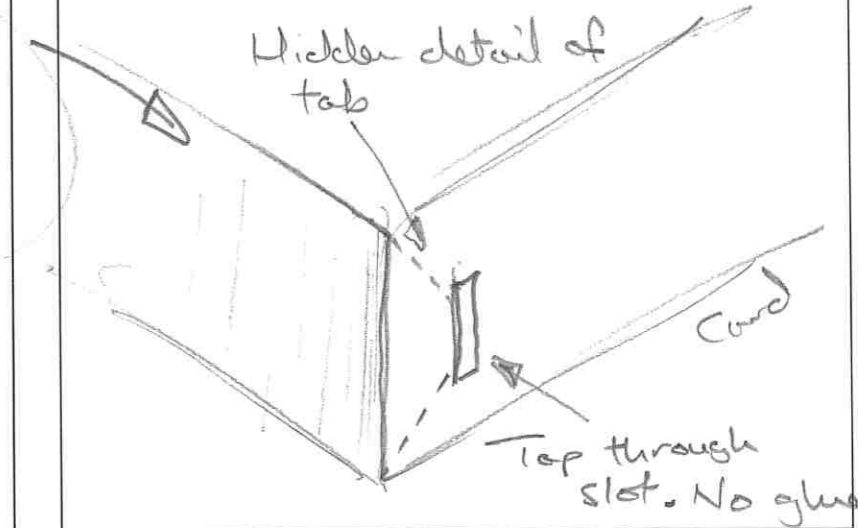
Sketch your initial ideas in this space



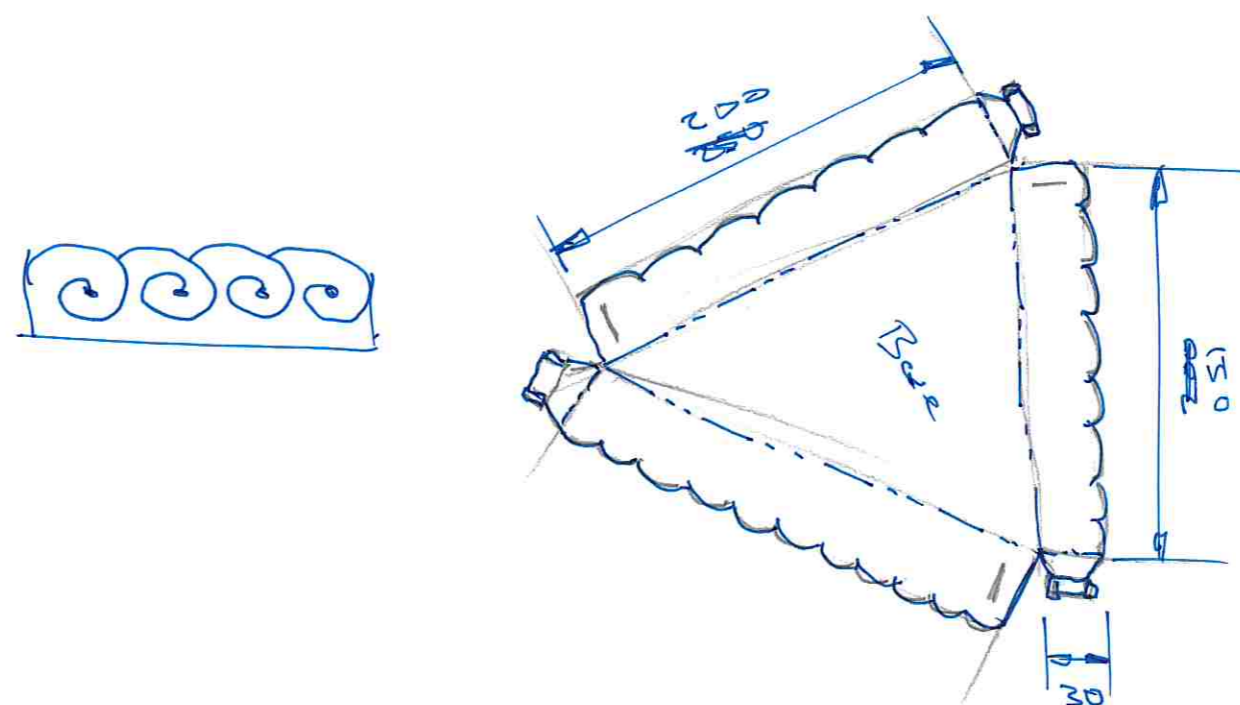
Develop one of your ideas in this space.



Make a detailed drawing of how your tray/box is joined when erected.



Draw the "net" of your tray/box in this space.



Design theme: Self Assembly decorative product for a special event.

Study the Design Brief and the Design Specification below.

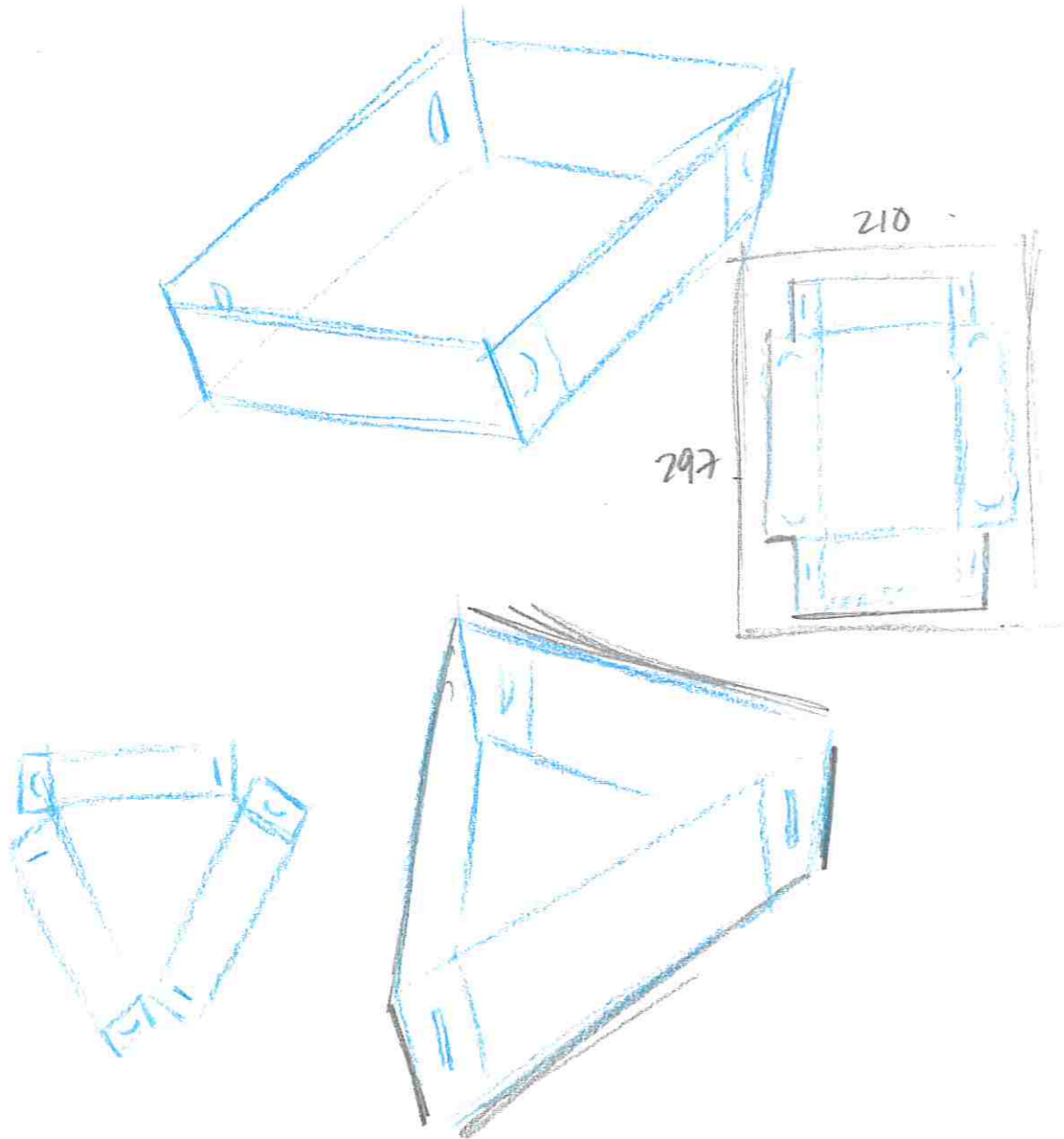
Design Brief: A party caterer requires a disposable tray/box to display finger food at the party table, it should hold items such as sandwich triangles, rolls, crisps, biscuits, macaroons etc .

Design Specification:

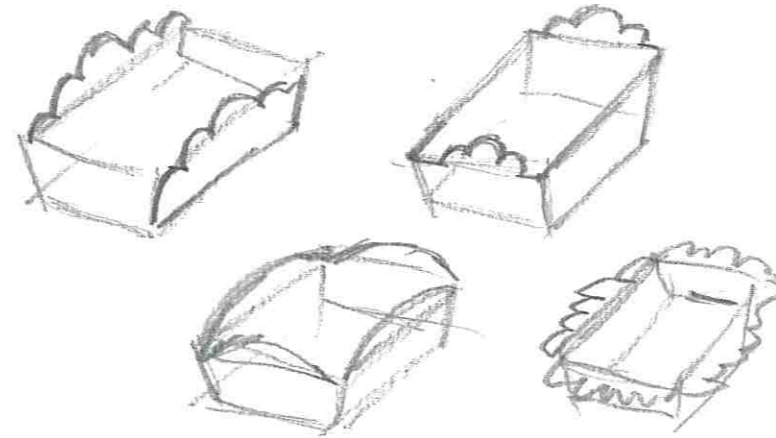
- The container needs to be made from 250gms board.
- It should be attractive with a party theme to the outside.
- It should be able to be cut from a single A4 sheet.
- It must be supplied flat to be erected at the party without glue or tape.



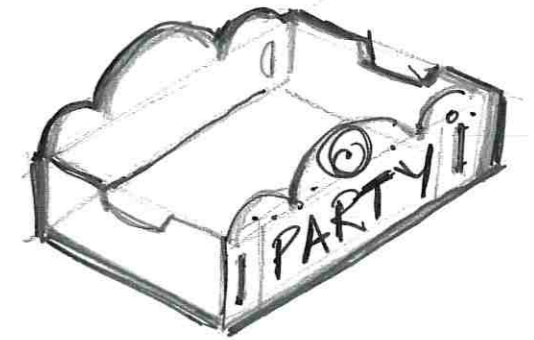
Sketch your initial ideas in this space



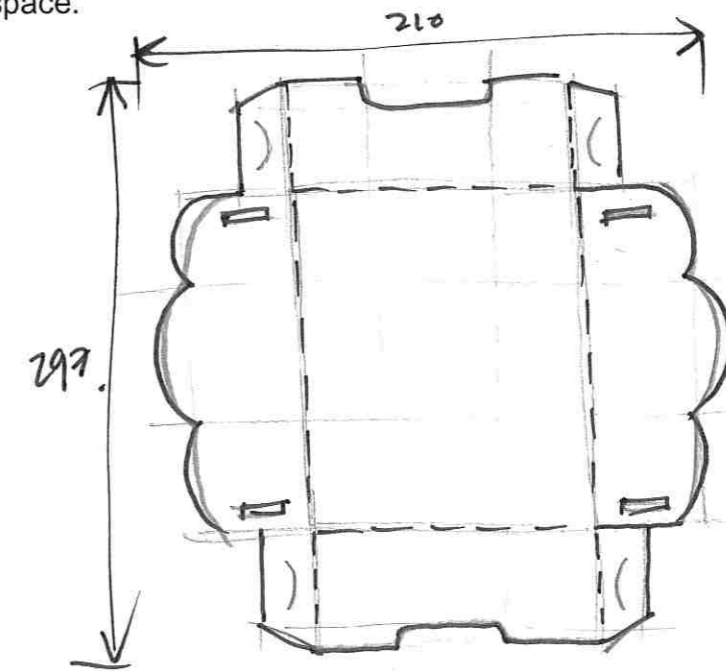
Develop one of your ideas in this space.



Make a detailed drawing of how your tray/box is joined when erected.



Draw the "net" of your tray/box in this space.



MANUSCRIPT  
HANDWRITING

Design theme: Self Assembly decorative product for a special event.

Study the Design Brief and the Design Specification below.

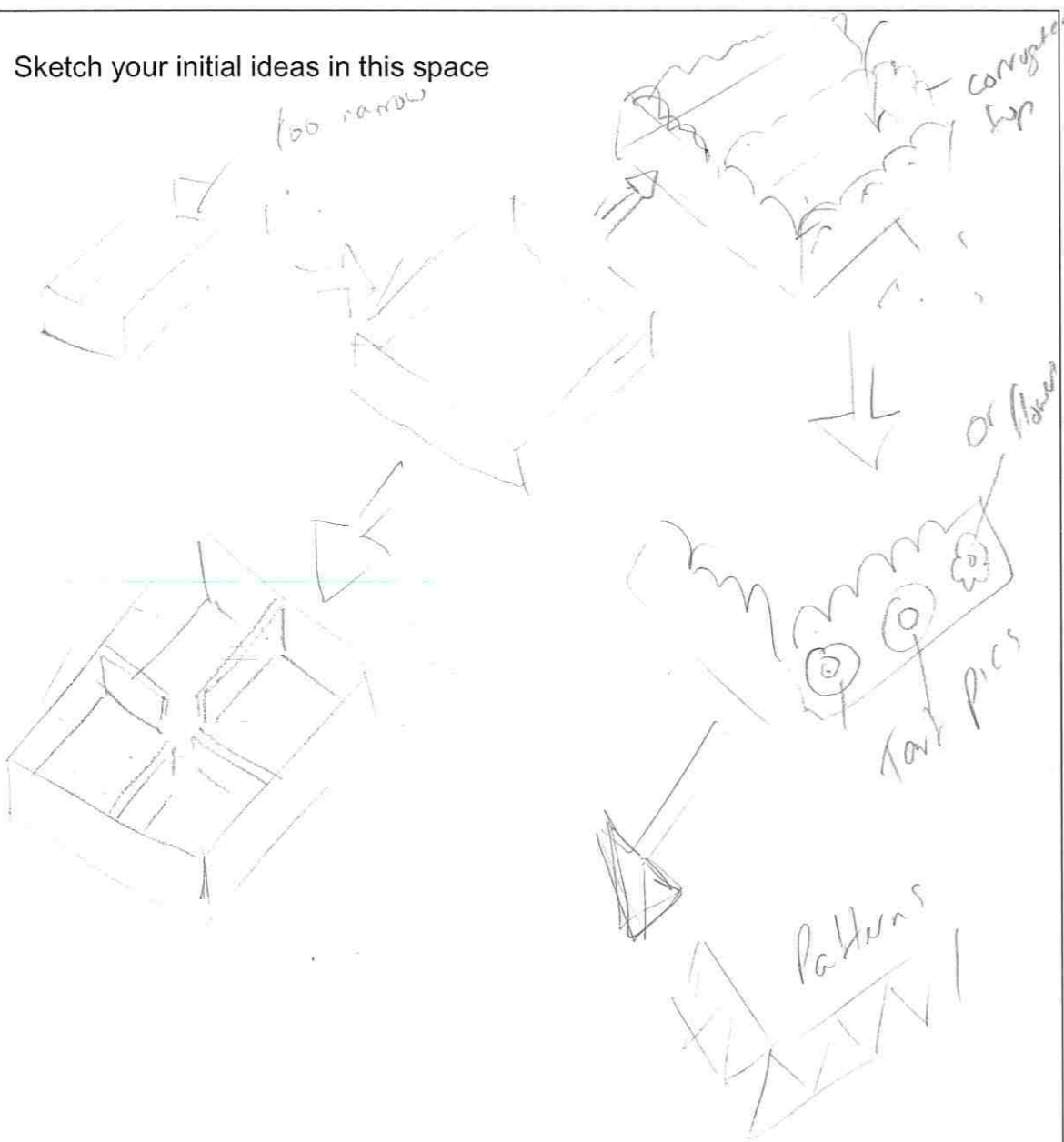
Design Brief: A party caterer requires a disposable tray/box to display finger food at the party table, it should hold items such as sandwich triangles, rolls, crisps, biscuits, macaroons etc .

Design Specification:

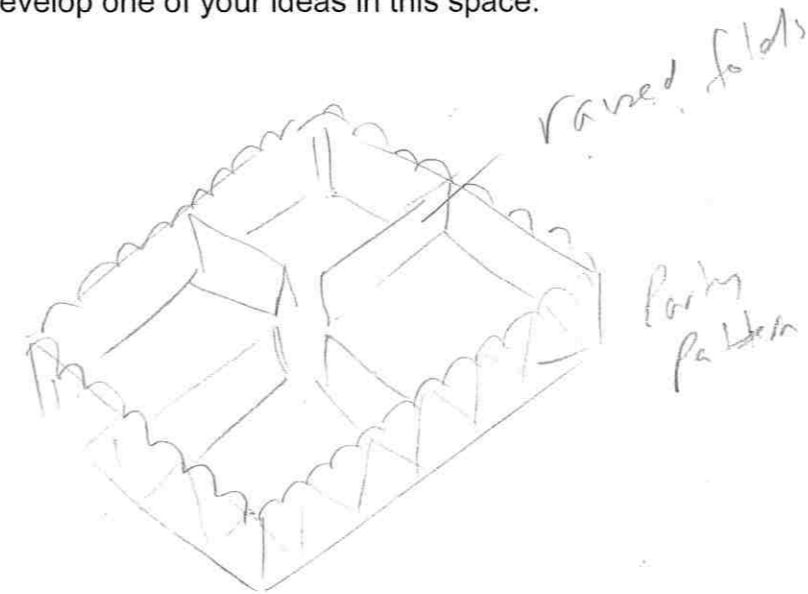
- The container needs to be made from 250gms board.
- It should be attractive with a party theme to the outside.
- It should be able to be cut from a single A4 sheet.
- It must be supplied flat to be erected at the party without glue or tape.



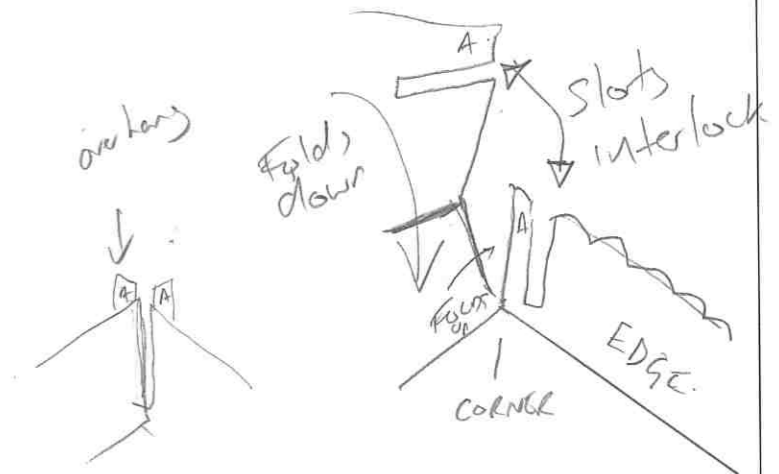
Sketch your initial ideas in this space



Develop one of your ideas in this space.



Make a detailed drawing of how your tray/box is joined when erected.



Draw the "net" of your tray/box in this space.

